





## GdYVtZl\_UWY'f\_lcbhmbi UM&L

? UbJgnMY'bc W	-D* +
NlpY[ fck Ubrn Wnk h VVblm	HU
NUM Xck U' U'U	HU
8UgnY_ dfinWk gcbYVlbn	bY
DcX[ fnYk UbY' gntV_]	bY
CWfcbUk UbXUccXdcfbU	bY
Dfc[ flA 'Xc'nUfn XnUb]U	; @A UbU[ YfzNY'U]gž5]a Yhg! Gna d\cbržBYHj ]gžA ]YgtrbY
G8? f]o nb]Yf]Ucdfc[ flA ck Ub]U	LDfctYVt7 cfdcfUY
CBJ =	bY
K na ]Umfk l ; l 8L	bY
K U[U	dUfnfngj bY_
7YfmZ_Um	+ , ) [
	79

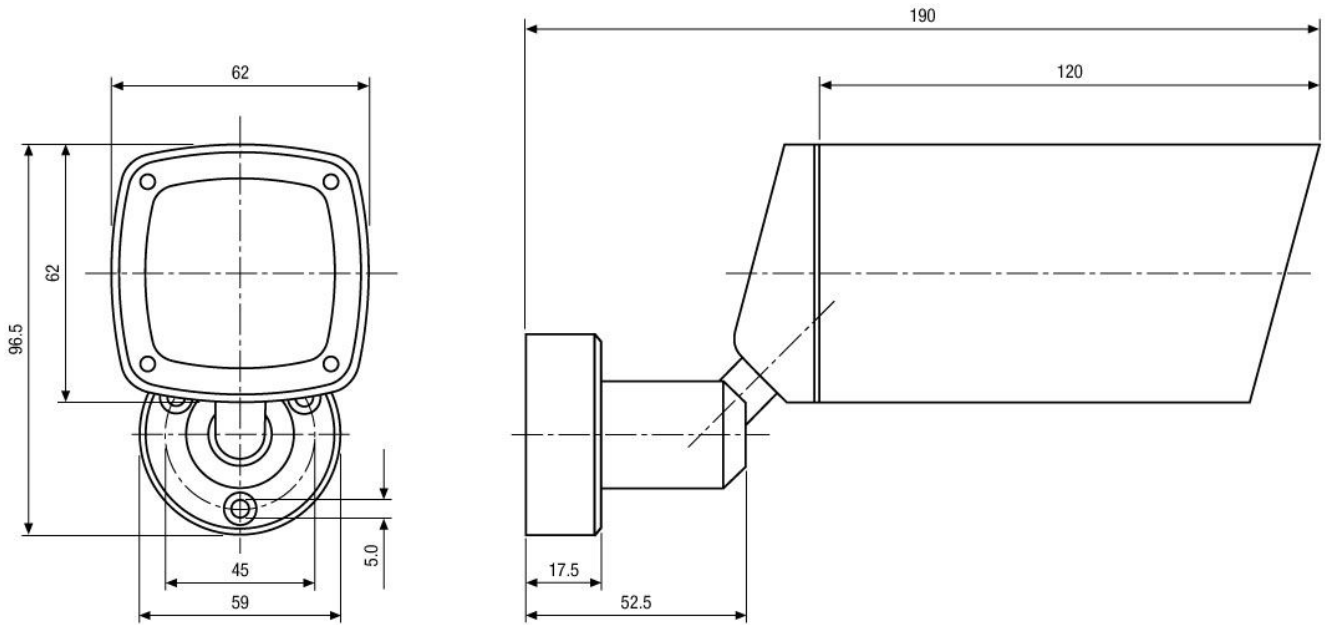
## 5\_Wgcf]U

: chc[ fUZU	5ff]_Y!Bf" #Hnd	Cd]g
	JHDG%&87!,	NUq]UMr%\$\$E&(\$J57#&W87žF%\$5žghU] ]nck Ubržn k hm]Ya bUgUxck na
	JHDG%&87!%\$	NUq]UMr k hmck n%\$\$E&(\$J#&J87E&ž) 5žghU] ]nck Ubržn k hm]M_]Xc' l ? ]fYgnm9i fcdm
	JHDG%&878H%	NUq]UMr q]M]ck m%&W87#&ž5žghU] ]nck UbržnC_U'ck Ub]Y 87 %ž a žb]Y]nc'ck UbY'_c V&E_]
	N9@5F -G]J \$,	8][ ]U'J ]Xyc BYtk cf_7fcgg]b_ž, 'edi hžžbch9l P]bhtVYžl G6 &\$ 8cb[ 'Y
	N9@5F -G]J %	8][ ]U'J ]Xyc BYtk cf_7fcgg]b_ž% 'edi hžžbch9l P]bhtVYž l G6 &\$ 8cb[ 'Y

## 5\_Wgcf]U'f]cbhmbi UMLK

: ctc[ fU]U	5f]_Y!Bf" #hnd	Cd]g
	N9@5F -GS-D]J 7	K YfgU'7 ]YbhXc'gyfk YfU'NY'Uf]gS-D' bU'YXbc'ghubck ]g_c dfUWh
		Cdfc[ f]La ck Ub]Y Xc'nUfn XnUb]Uk ]Xyc'XUk ]YfgU dcXghuk ck UZ( '_La Yfm
		GcZtk UFY'nUfn XnUb]Uk ]Xyc'GYfk Yf#_]YbhK YfgU'dcXgh'z ]WbWU'GYfk "( '_La Yfm
	N9@5F -GS-D'G\$(9	GcZtk UFY'fcngnYfnU^ Wf]NY'Uf]gS-D'G\$( 'c( '_La YfmUY'a U_g' Xc*( '_La Yf
		F cngnYfnYb]Y'k Yfg]'_]Ybha U_gna Ub]Y Xc'\$\$&( '_UbUgK
		GcZtk UFY'nUfn XnUb]Uk ]Xyc'Xc'ghubck ]g_'K Yfg'DcXgh'za U_g' \$\$&( '_UbUgK

Fngj b\_]



Maße/Dimensions: mm

Hk CE'dUfhbyf'dfcXi \_r0K YbYc.

