



; L7!%\$)A

Bi a YfUfmj i . - &+*\$

%# ""_La YfUg]Mjck UZ7ACGžhfvXnjY #bcVž
 %& \$! %\$&(ž<"&* (#AD9; !(#A >D9; žDc9žCBJ =

BUk U b]Y'gnY'XUbY'fVWb]MvbY

%# ""GcbnždfnYtk cfb]_7ACGž%ž 'a Y[Ubl_gY]
 Gna i 'Hub]Mbnghfi a]Y 'XUbnW'j]Xyc fA >D9; / 'AD9; !(
 K 8F 'fgnYfc_]nU_fYg'XnbUa]_]t
 N]bY[fck UbU'XYfY_VWUfi Wki 'fA ch]cb'8YfVW]cbt
 Nu]g'U'Ufa i 'f]UfU'a]Mfc G8#G8<7t
 7\fc]cbY'cVgnUfmfDf]j UWf'nCbYgž

A U_gna UbUfcrXnjYVfc . %& \$! '%\$&('fk8' +&\$dž
 CVfckck mž]Hf'cXV]bU^ Wf#f 'f#7Fž
 FC#fY[]cb'cZ#hYfYgžfY[i 'ck Ubm
 KY^V]U#m' V]U' X]c]'U'Ufa ck Y
 N[cXbc 'nCBJ =
 Nu]jYfUcdfc[f]a ck Ub]Y'_'YbU

GdYWž_UWY

GyfU
 GngYa
 GHubXUX'k]Xyc
 DfnY_ 'Hub]gYbcfU
 Hnd' dfnYtk cfb]_U
 Hnd'gYbcfU
 7ni @ ' k]UnU'f]fm) \$i gnf]bUu]]Xyct
 7ni @ ' dfm) \$i dcn]ca]Y gnf]bUu
 7nžck U'cVfCž_Ugnf]bUu 'fBGdž
 GnbWfcb]hUWU
 5i 'ca UmVbU_cbfic Uk na cVb]Yb]U'f5; 7t
 5i 'ca UmVbUA]Uk_U'9Y 'fcb]Mbu'f9G7t
 F 'Vb]a]Uk_U'YY 'fcb]Mbu'fA 9Gž
 7nžck U'fYX' _VW]gri a Ck
 K c'bu'dfmg'cbU

YbYc'; @
 <8 +&\$d
 XnjY #cW
 77# #D5@
 %# "
 7ACG
 Gcbm'AL\$)
 \$ž@I
 dfm %ž
 #HAG' &\$SA')) fX[]U'a YX]UdfcWggfž
 kYkb hnbU
 , I #9\$1 # &I #*(I
 dfnYU Wb]_cbžZ
 %&gy_i bXm %&\$\$\$gy_i bXm
 hU
 hU

GdYVwZj_UWY'f_lcbhmbi UM&L

K nfiCK bUjY VjY]	5K J k nVCEdca] Xm tfinVYa k Yk b hlnbna] nYk b hlnbna
GnYfc] nU fYg XnblUa]] fIK 8F t	HU ž dcnjca mVmi t Vj
: i b VWU cfY Vjfa]] ctub]U	HU
:] f f #	a YVU b] M b m
: i b VWU cXVWU i gfnUbY] c	cXVWY' dcnjca Yž cXVWY' d] c bck Y
GhY Zmfink Uhc Vj	' a Ug] dfinUhc Vj dfinYU Vwb] cb #Z
8YfY VWU fi Vmi	HU
8YfY VWU fi Vmi) % & dCEf \$ r % \$ \$ i t
K mk] Yfub] Y Y gh	UXfYg - # XLU # VWUg
K YfgY ^ r mck Y a Ybi	b] Ya] YVZ Ub]] Yg] ž ZubWg] ž \ gndU g] ž k t g] ž dcfh [Ug] ž \ c YbXYfg] ž d c g] ž VmYg] ž gnk YXn] ž] g] ž k [] Yfg] ž fi a i g] ž h fVW] ž W] g]
A Ybi Y_fubck Y CG8	5F K ž 5K 6 ž fY [i ' UWU Y_g dcmVj 9G7 ž cXVWY' dcnjca Y #] c bck Y ž Ugbc ž fY_g ž bUgnVwb] Y' _ c' cfi ž XfYf VWU fi Wi ž c b h fUg ž k 8F ž fcnXn] Y Vmc ž ^ m d fchc CE # Dž cVjY hmk ' 9G7 # 87 ž fYgYh j] Yc f 6 B7 ž gY f f # () ž k Y ^ VjU] k m VjU U Xc # Ufa ck Y ž 87 !] f g f (! VjY [i bck U ž l G 6 ž F G (,) ž nUg] UbjY 6B7
FY [i UWU nYk b hlnbU	% d d ž V a d c g] Y ž +) ca CE ž 6 B7
N a VmU nYk b hlnbY	HU
K m VjU]] Yc	% # k Y ^ VjY # k m VjY ž k Vi Xck U bma] f c ž b
K m VjU]] Yc	%
K gdU VjY ' 5i Xc	%
K Y ^ VjU U Ufa ck Y	dfnYn: HDž < HD ' i V GA HD " 5 hmk UWU k m VjU U Ufa ck Y [c'] NUb] g] bU_ UfVjG8 # G8 < 7 # d c d f n Y n c d f c] f l a ck U b] Y ' 7 A G _ UfVjG8 ž _ UfVjG8 < 7
K m VjY U Ufa ck Y	< " & * (ž A D9 ; (ž A > D9 ;
DfcWXi fU Ufa ck U	% & \$ i % \$ & (
DUa] k Yk b hlnbU	% & \$ i % \$ & (GL ; 5 ž % & \$ i + & \$ f k 8 + & \$ ž * (\$ i (, \$ f j ; 5 ž ' & \$ i & (\$ f l j ; 5 ž % \$ i % \$ & f i e j ; 5 ž
A YfcXm_ca dYfg]	&) 6 " # Y "
A U_gna UbU fcnXn] Y Vmc cVfUhi	a U_gna UbjY &) _ UY # gY i bX d f n m % & \$ i % \$ & (d] gY U W f k " & * (t
FcnXn] Y Vmc	fY [i ck UbU gnYfc_c dUga UcfU hVmi gch] k c cVfUhi < " & * (ž A D9 ; ! (ž A > D9 ; gna i fub] M b] Y
A U_gna UbU df X_c fU boga] g]	dfnYn d f n Y [' X U f _ g] V j k ' i V c d f c] f l a ck U b] Y j Y k Y f % \$ 6 U g Y ! H ž % \$ \$ 6 U g Y ! H
=c _UY_bUgY_i bX	A G - h Y f b Y h 9 l d c f Y k Y f g] + \$ a] b ž ; cc [Y 7 \ fca Y f j U ž A c n] U :] Y ž l f j U ž G U j U] f j U ž
GnYfc_c dUga U	- # j (ž 5 F D ž H 7 D # D ž l HD ž - 7 A D ž 8 < 7 D ž < H D ž < H D G ž F H D ž F H 7 D ž F H G D ž ' ; D D ž B H D ž 8 B G ž 8 8 B G ž D D D c 9 ž l D b D ž G 5 A 6 5 ž : HD ž G A HD
FcXnUY gh i a] b]	dfnYn XUbY c d f c] f l a ck U b] Y
CXhk UfnUb]Y cVfUhc	[k] b h 7 G
ü VmY ' 9h YfbYh	HU ž % \$ i
DfnY [' XUF_Ug] VjY k U	Xc - gY_i bX
Dfchc_cümg] VjY k Y	HU
NXUbmXcgh d] _cbZ] i fUWU	k Y Xü [d i b k k c f] Y b U m b r n V . U Ufa # X U f n Y b] # M U g
A cVck Ub]Y cVjY hmk i	
Ncca Vmžck m	
Bu] fUjY d f n Y X U Ufa ck Y f d f Y ! U Ufa t	
K gdU VjY D H N	
? f n Y f U k n g n i _ k U b] U	

GdYVtZj_UWY'f|cbhmbi UM&L

-bYfZ/g'gnYf ck m	FG(,.)
-bYfZ/g'gnYf UW	dfcfc_cũngYfi ^W. DYVt' D/ '8
8cgh d	a U_gna UbjY'\$i nhck b CE 'YXbcVMY b Y
5_h U]hUWU: jfa k UFY	_UFU G8 #dfmY[`XUF_U]bhYfbYtck U
NUMYndjYVWYb Y\UgYa	hU
Dfc flA Xc nUfn XrUb U	cdfc flA ck Ub Y 7A G
G8? f b nb Yf Ucdfc flA ck Ub U	Xc XngdcnmVZG8? k ũ Vmb Y n' <H-D!5D=U_]5Vtj Y!L
CBJ ÷	VtY'gdVMV'Vhcbg%'\$%
DcVCE a cVth	&Z) K
NU fYgY'a dYfUh fdfUWth	\$r Z) \$s7
NUg Ub Y	%&J 87Z&(J 57ZDc9 f999!, \$&" UZ
NUg Ub Y' dfmYn 9h.YfbYhfDc9L	hU
? UglJgnVMY'bc V	VfU_XUbnV
7Yfma Uhm	79ZCBJ ÷
K flA UW Xcghuk m	_La YfUznUg UWm%\$s &(\$J 57Z)bgf _VUcVgũ [jz_UY'I G6z
K U U	dũhU]joghUWmrbU
K na UmfK : 8L	(\$\$[
I k U]) * , % (ž a a
: i b_W'gdYWUby	cdfc flA ck Ub Y Xc fY'YghUWZ Xcgh dbY G? 8 k ũ Vmb Y n
	<H-D!5D=U_]5Vtj Y!Lž
	K jnUX'dcdfmYn dfmY[`XUF_ 'g VM ck

5_Wgcf|U

: ctc flU U	5ff _Y Bf" #Hnd	Cd g
	K 8!&&	I Wk nthi VY'bbm[ũk JW_ j `ck ž%(" fi VUa cW^WU Xc
	K 8!&	_La YfznVY ck U
	: \$ N&'+%\$B887AD	I Wk nthi VY'bbm[ũk JW_ j `ck ž%(" fi VUa cW^WUž
		DUbrcbY', ++
		CV Y_hnk 'a Y U _g'ck n87 : %\$# E, 'a a nY'ra Ybb
		c blg_ck ž%# ""7G

5_Wgcf]U'f]cbhmbi UM&Ł

: ctc[fUzU

5fj_Y!Bf"#-hd

Cd]g



: \$)N\$B887!AD

CV]Y_lmk'a Y[Ud]gY'ckm87: %&(# E) \$'a a 'nY'na]Ybb
c[b]g_ck ž%# "'7G

B9!% 9&(J

Nug]UMf& \$]57#&(J57'f%\$5Ł



; @7A G!A 5B5; 9F

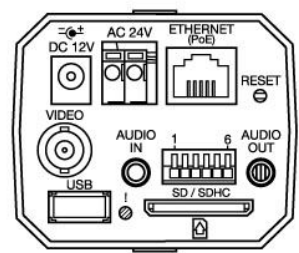
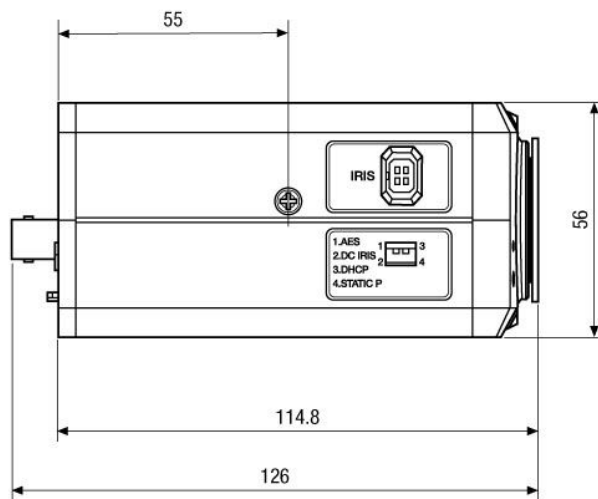
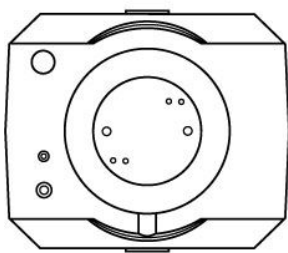
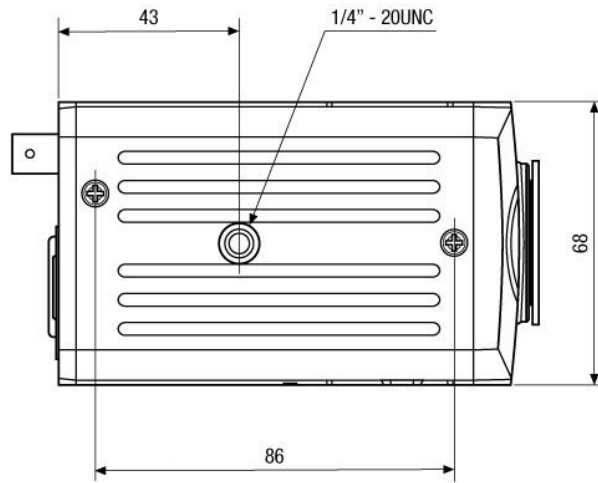
Cdfc[fUa ck Ub]Y'Xc:nXUbY^Uxa]b]gfUM]XU'gyf]]g]M]ckY^
YbYc; @A >D9; žAD9; (ž<"&*(



DC9&\$! !)*\$f] Ł

DC9%&) ! !, 7

Fngj b_]



Maße/Dimensions: mm

Hk CE'dUfthYf'dfcXi _rKk YbYc.

