



: L7!% \$&

Bi a YfUfmj i . - &+%

%# ""\_La YfUg]W]ck UZ7ACGZhfV'XnjY #bcVZ  
<"&\* (z% \$\$! %&\$\$z%&J 87ZDc9ZCBJ ÷

### BUK U b]Y'gnY'XUbY'hVWb]M]bY

%# "" dfinYrk cfb]\_ 7ACG&a Y[ Ud]\_gY]  
Gna i 'HUb]M]bndfinYdunk 'XUbVW j ]Xyc fA D9; !(#<"&\* (Ł  
CVgü [ UY!DHN  
N]b]Y[ fck UbU'XYFY\_VW]fi WVi 'fA ch]cb'8YhVW]cbŁ  
FY'Yg]fUWU'U'fa i 'fä ]b]G8zB5Gz-67GŁ  
Dck Yf'cj YF'9H YfbYh]Dc9Ł

A U\_gna UbU'fcrXnjYV'rc . %&\$\$! %&\$\$'fk8'+&\$dŁ  
9'Y\_fcb]M]bY dfinYü W]Ub]Y'dca ] Xmi'fcrVYa 'XnjY #bcW  
7\fc]cbY'cVgrU'fmi'Df]j UW]riNcbYgŁ  
K Yk b 'fribm[ 'ü b]\_]a ]\_fcZcb  
N[ cXbc 'nCBJ ÷  
Nuk ]YfU'cdfc[ f]la ck Ub]Y'\_'YbW]Y

### GdYW]z]\_UWY

Gyf]U  
Gng]Ya  
DfinY\_ Hb]U'gYbocfU  
Hna' dfinYrk cfb]\_U  
7ri @ ' k ]U]h]f'df]m) \$! gn]b]Uü j ]XyckŁ  
7ri @ ' dfin]m) \$! dcn]ca ]Y'gn]b]Uü  
7n]fck U'fYXi\_VW]gri a CK  
K cbU'df]mg]cbU  
K cb]Ua ]]Uk\_U  
?ca dYb]UWU' k ]U]h]U  
Gn]Yfc\_ ]riU'fYg'Xnb]Ua ]]f]k 8FŁ  
: ]f]f ÷  
8YFY\_VW]fi WVi  
8YFY\_VW]fi WVi  
K mk ]Y]Ub]Y'Y\_g]i

Yb]Yc:  
<8'+&\$d  
XnjY #bcW  
%#"  
7ACG  
\$@|  
dfin]m %&  
b]Y  
h]U  
%&gY\_"r%#&\$\$\$\$gY\_"  
b]Y  
b]Y  
C@: f]Cj YfU'h]e'ck 'DUgg: ]Y]YfŁ  
n]b]Y[ fck UbU'XYFY\_VW]fi WVi 'fä YXck Ub]Y'fi WVi Ł  
h]U  
a c ]kY

## GdYVtZl\_UWY'f]cbhmbi UMWk

K YfgY^ ^rmckY'a Ybi	Ub] ]Yg_žW] g_]
K gdUVWY'5i X]c	HU_
K Y^VWUUFa ckY	k Vi Xck Ubrna ]_fcZbzž[ @c b]_
K m^VWUUFa ckY	!
DLa] ] kYk b hrbU	!
7nžckY'bc b]_] ]bzfa UW	_UWU'A ]Vc' G8ž_ UFW'G8<7ž_ UFW'G8
A YrcXm]_ca dfYg]	5dUWF% 6ž5dUWF(; 6ž, ; 6ž%; 6ž? ]b[ grcb% 6ž& 6ž
A U_gna Ub]fcbXn]Y'Vmc cvfUti	? ]b[ grcb'(; 6ž, ; 6ž%; 6ž' & 6žGWb8]g_ % 6ž& 6ž
FcbXn]Y'Vmc	GWb8]g_ (; 6ž, ; 6ž' & 6ž7fi VWU' % 6žHfUbWbX'(; 6ž
A U_gna Ub]df X_c ]fUoga ]g]	, ; 6ž%; 6ž?-B; A5L'(; 6ž, ; 6ž%; 6ž5!8UW'(; 6ž
FcbXn]Y'gfi a ]Yb]	%; 6
Hnd'cv]Y ]mk i	<"&* (žA >D9;
A cvkUb]Y'cv]Y ]mk i	%\$ \$! %&\$ \$
C] ]bg_ ck U	&a Y[ Ua] ]gY
Ncca Vžck m	' \$6'GY_ "
bYfZY'ggnYf] ck m	<"&* (žA >D9; 'gna i ]ub]Mtb]Y
NXUbmXcgh d] ]_cbž] i fUWU	nY'ghU' c] ]bg_ ck
NWYnd]Y'WYb]Y' \UgYa	[ k ]bh7 #7G
K gdUVWY' DFN	( a a
NUg] ]Ub]Y	b]Y
NUg] ]Ub]Y' dfnY'n 9A YfbYhDc9k	b]Y
DcVCE'a cvh	dfnY'nXUby'cdfc[ fUa ck Ub]ždfnY'n' dfnY' ] XUF_
NU_fYg]Ya dYfUti fdfUWti	]bYfbY'ck
?ccfcVl Xck m	HU_
A UYf]UccVl Xck m	HU_
? Ugl'gnM]Y'bc VW	%&J 87žDc9 f#999!; \$&" UZ
N]bYf] fck Ubrni Wnk h ]VYbom	HU_
NUM Xck U_ UVU	' K
8UgnY' dfnY'V]k gcbY'V]bom	!%\$ \$r ž* \$ \$7
DcX[ ]fYk Ub]Y'gmv ]_]	F 5@ \$%\$
CVfcbUk UbXUccXdcfbU	d'Ugf]
Dfc[ fUa Xc nUfn Xn]Ub]U	VfU_ XUbmV
G8? ]b_ nb]Yf]Ucdfc[ fUa ck Ub]Uk	HU_
CBJ =	b]Y
K na ]Ufrik ]_ ] 8k	b]Y
K U]U	b]Y
K ]fUa UW Xcgh k m	b]Y
7Yfma]_ Um	: ]b]UžNYUf]g
	Xc XngdcmVžG8? k ũ Vtb]Y'ni <HHD!5D=U_ ]5V]i YIL
	VžfY'gdY'V]V]hcbg' %\$&
	%\$! +\$! ' ' a a
	&) \$ [
	cv]Y ]mk žžd]m]U ]ogU'U'rb]UžnY'guk ' fi VžžnUg]UW
	79

## 5\_Wgcf]U

: ctc[ fUz]U

5f]\_Y!Bf" #Hnd

Cd]g



: B+F 5

Cdfc[ f]a ck Ub]Yj ]Xyc`a UbU[ Ya YbhXUdfcXi \_kK `YbYc  
gYf]]:

: BF!( \$\$ ( # \$\$

G]M]ck m!(\_UbUck mY`YghUcfU X]c# ]Xyc`%\$\$ %&\$\$4 &  
!\_UbUck nř<"&\* (ž) \$\$; 6ž%&J 87



: BF!( %\$ # \$\$

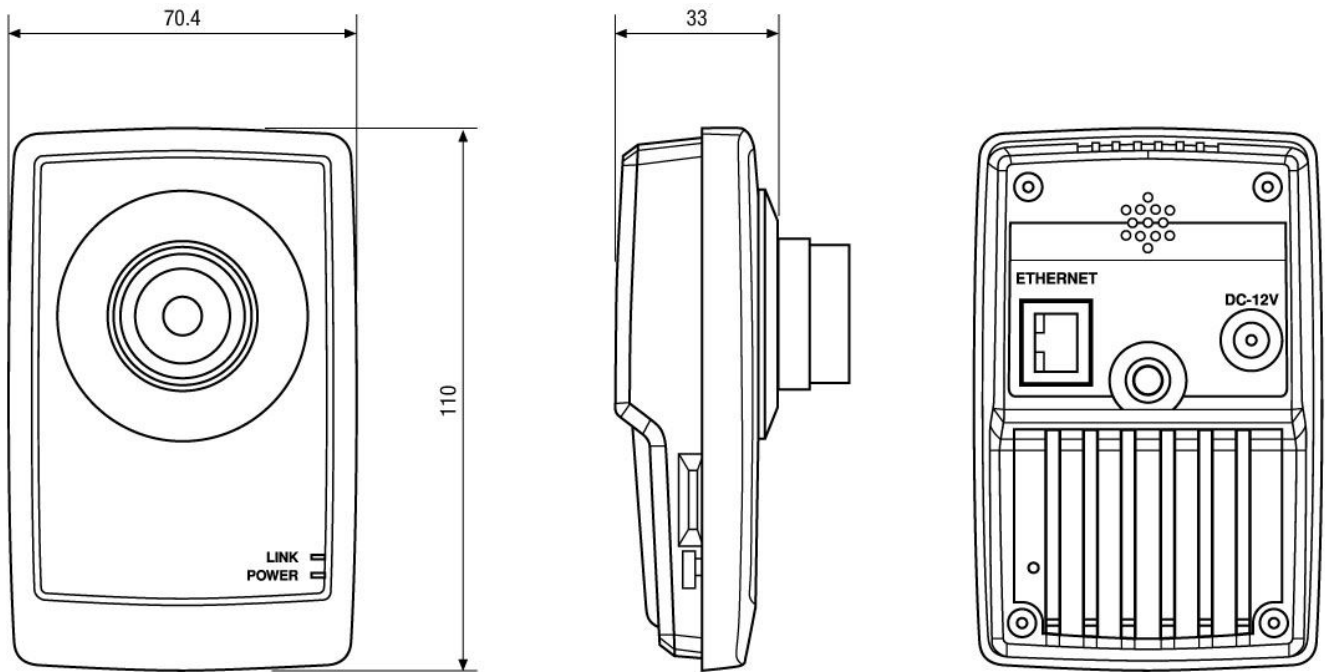
G]M]ck m!(\_UbUck mY`YghUcfU X]c# ]Xyc`%\$\$ %&\$\$4 (  
!\_UbUck nř<"&\* (ž) \$\$; 6ž& \$J 57



DC9&\$! !)\*\$f] 7

DC9%&) ! !, 7

Fngj b\_]



Maße/Dimensions: mm

Hk CE'dUfhbyf'dfcXi \_hUK YbYc.

