

## GV-FER521 5MP H.264 Fisheye Rugged IP Camera



### Introduction

The GV-FER521 is an outdoor fisheye camera that allows you to monitor all angles of a location using just one camera. The distorted hemispherical image of the fisheye camera will be converted into the conventional rectilinear projection.

Without installing any software, you can watch live view and utilize functions such as motion detection, privacy mask, and alert notification through the Web interface using an IE browser. In addition, the GV-FER521 seamlessly integrates with the GV-System, providing advanced monitoring and video management features.

The GV-Fisheye IP Camera is designed to be mounted on the ceiling, wall or ground. There are two ways to mount the GV-FER521 on the ceiling, **Hard Ceiling Mount** and **In-Ceiling Mount**. In-Ceiling Mount allows the camera to be mounted into the ceiling, revealing a small portion of the camera.

### Key Features

- 5MP progressive scan CMOS
- H.264 and MJPEG
- Digital Object Tracking
- Electronic Day/Night function
- IP66 Rating
- IK6 Rating
- Provides 360 and 180 degrees panorama view
- No mechanical moving parts
- Built-in Web server for monitoring through IE browser
- Virtual PTZ function
- Auto Pan function
- Different angle of view accessible by multiple users at the same time
- Playback from any view angle and zoom level
- Privacy mask
- Visual automation
- Tampering alarm
- Two-way audio
- PoE
- Micro SD/SDHC Card Slot
- 31 languages on Web interface

\* No SD/SDHC card slot & local storage function for Argentina.

Fisheye Source Image



Single View



2 x 180° View



360° View

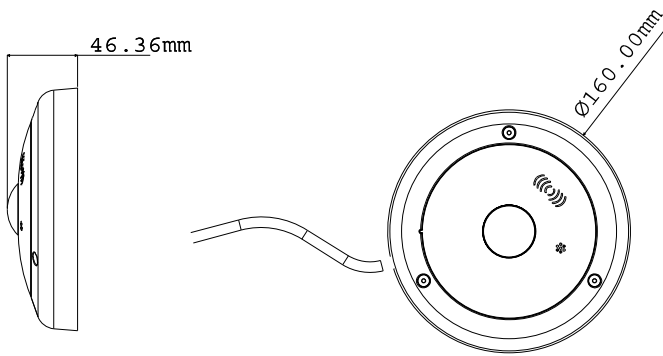


Quad View

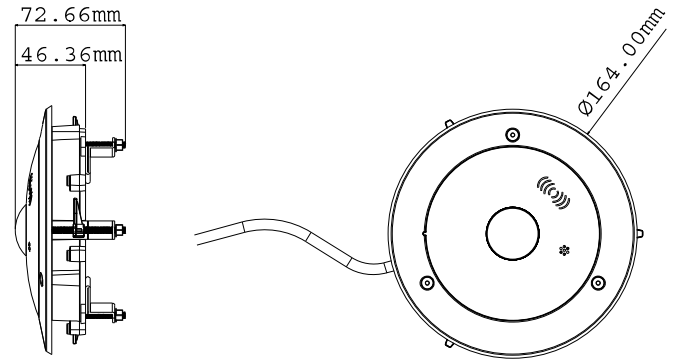


## SPECIFICATIONS

Hard-Ceiling Mount



In-Ceiling Mount



### System Requirements

OS	32-bit	Windows XP / Vista / 7 / Server 2008
	64-bit	Windows 7 / Server 2008
GV-System Version	GV-System V8.5.3.0 or later	
Browser	Internet Explorer 7.x or later	

### Camera

Image Sensor	1/2.5" progressive scan CMOS	
Picture Elements	2560 (H) x 1920 (V)	
Minimum Illumination	Color	2 Lux at F/2.0
	B/W	
Shutter Speed	Automatic , Manual (1/5 – 1/8000 sec)	
White Balance	Automatic, Manual (2800K~8500K)	

### Optics Lens

Megapixel	Yes	
Day/Night	Yes (electronic)	
Iris	Fixed Iris	
Focal Length	1.6 mm	
Aperture	F/2	
Mount	M12, Pitch 0.5 mm	
Image Format	4.7 mm (Image Circle)	
Operation	Focus	None
	Zoom	None
	Iris	Fixed

### Operation

Video Compression	H.264, MJPEG
Video Streaming	Single stream from H.264 or MJPEG
Frame Rate	10 fps at 2560 x 1920
Image Setting	Brightness, Contrast, Sharpness, Gamma, White Balance, Flicker-less, Backlight Compensation, Image Orientation, Shutter Speed, Day / Night
Audio Compression	G.711, AAC (16 kHz / 16 bit)
Two-way Audio	Yes

### Network

Interface	10/100 Ethernet
Protocol	HTTP, HTTPS, TCP, UDP, SMTP, FTP, DHCP, NTP, UPnP, DynDNS, RTSP, PSIA, SNMP, QoS (DSCP)

### Mechanical

Lens Mounting	M12, Pitch 0.5 mm / 0.02 in
Temperature Detector	Yes

Connectors	Power	PoE
	Ethernet	Ethernet (10/100 Base-T), RJ-45 Connector
	Audio	Built-in microphone and speaker
	Auto Iris	None
	Local Storage	Micro SD/SDHC memory card slot (for Class 6 card or above)
	TV-Out	None

#### General

Environment Temperature	-20 °C ~ 50 °C / 32 °F ~ 122 °F		
Humidity	10% to 90% (no condensation)		
Power Source	PoE (IEEE802.3af)		
Max. Power Consumption	5 W		
Dimensions	Camera Body	Hard-Ceiling Mount	ø 160 x 46.4 mm / 6.30 x 1.83 in
		In-Ceiling Mount	ø 160 x 46.4 mm / 6.30 x 1.83 in
	Cable Length	1 m / 3.28 ft	
	Cable Diameter	ø 6.2 mm / 0.24 in	
	Maximum Connector Diameter	ø 30 mm / 1.18 in	
	Weight	480 g / 1.06 lb	
Protection Classification	IP66		
Vandal Resistance	IK6		
Regulatory	CE, FCC, C-Tick, RoHS compliant		

#### Power over Ethernet

PoE Standard	IEEE 802.3af Power over Ethernet / PSE
PoE Power Supply Type	End-Span
PoE Power Output	Per Port 48V DC, 350mA. Max. 15.4 watts

#### Web Interface

Installation Management	Web-based configuration
Maintenance	Firmware upgrade through Web Browser or Utility
Access from Web Browser	Camera live view, video recording, change video quality, bandwidth control, image snapshot, audio, Picture in Picture, Picture and Picture, Privacy Mask, Visual Automation, Tampering Alarm, Auto Pan function, virtual PTZ, motion detection, wide angle lens dewarping, text overlay
Language	Arabic / Bulgarian / Czech / Danish / Dutch / English / Finnish / French / German / Greek / Hebrew / Hungarian / Indonesian / Italian / Japanese / Lithuanian / Norwegian / Persian / Polish / Portuguese / Romanian / Russian / Serbian / Simplified Chinese / Slovakian / Slovenian / Spanish / Swedish / Thai / Traditional Chinese / Turkish

#### Applications

Network Storage	GV-NVR, GV-System
Live Viewing	IE
CMS Server Support	GV-Control Center, GV-Center V2, GV-VSM, GV-Backup Center, GV-Video Gateway, GV-Recording Server

**Note:** Specifications are subject to change without notice.