

# SNC-CH110

Network HD Camera — X Series

**SONY**  
make.believe

## Compact and Affordable HD Security Camera

- Excellent 720p HD picture quality, supporting H.264 at 30 fps
- 1.3 Megapixel (1280 x 960) maximum resolution
- Three codecs (H.264, MPEG-4, JPEG) and dual streaming capability
- 1/3.8 type progressive scan CMOS sensor incorporated to deliver high image quality



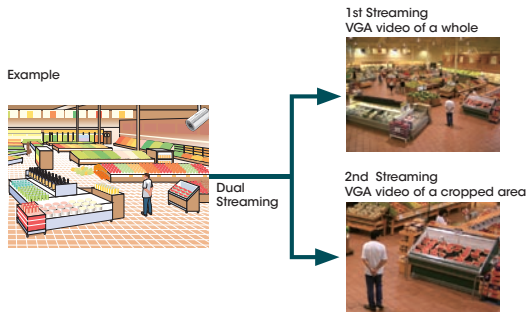
**HD** **1.3M**  
1280x960

### KEY FEATURES

- Compact and stylish design for discreet surveillance.



- Electrical Day/Night function to switch to Day or Night mode depending on the light level.
- Stream Squared function allows simultaneous streaming of two 4:3 aspect ratio videos in user selectable SD resolutions. User can select the entire image or a portion of the image from the original field of view and resize to SD resolution or lower for each stream. With this feature the SNC-CH110 can replace two SD cameras installed in the same line of view.



- Analog monitor output (AV mini jack).
- Powered by PoE (Power over Ethernet) for simple installation.
- Recording software (RealShot™ Manager Life) is bundled to start recording and monitoring instantly.
- ONVIF™ (Open Network Video Interface Forum) Version 1.01 software that ensures greater interoperability and more flexibility in building multiple-vendor systems.

**ONVIF**

- Intelligent Motion Detection that supports DEPA™ analytics.



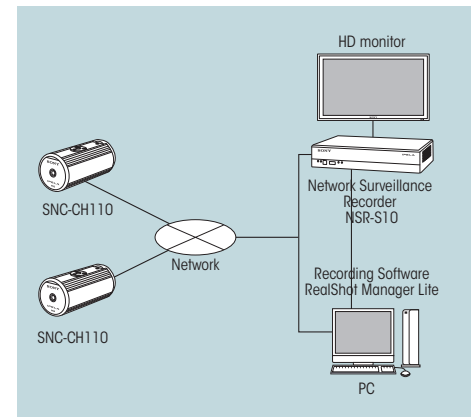
**IPELA™**

## SPECIFICATIONS

SNC-CH110	
<b>Camera</b>	
Image device	1/3.8 type CMOS sensor
Minimum illumination	5.0 lx / AGC 30dB / 50IRE [IP]
Number of effective pixels (H x V)	1.3 Megapixel (1296x985)
Electronic shutter speed	1/2 s to 1/10000 s
Gain control	Auto
Exposure control	Auto, EV Compensation, Auto Slow Shutter
White balance mode	Auto(ATW, ATW-PRO), Preset, One-push WB, Manual
Lens type	fixed
Horizontal viewing angle	80.7 degrees
Focal length	f=2.34
F-number	F2.8
Minimum object distance	500 mm
<b>Camera Features</b>	
Day/Night	Yes (electrical D/N)
Noise reduction	Yes
<b>Image</b>	
Codec image size (H x V)	1280x960, 1280x720, 1024x768, 1024x576, 768x576, 720x576, 704x576, 800x480, 720x480, 640x480, 640x368, 384x288, 352x288, 320x240, 320x192, 176x144
Video compression format	H.264, MPEG-4, JPEG
Codec streaming capability	Dual streaming
Maximum frame rate	JPEG / MPEG-4 / H.264: 30fps (1280x960 / 1280x720)
<b>Scene Analytics</b>	
Intelligent motion detection	Yes
<b>Network</b>	
Protocols	IPv4, IPv6, TCP, UDP, ARP, ICMP, IGMP, HTTP, HTTPS, FTP (client), SMTP, DHCP, DNS, NTP, RTP/RTCP, RTSP, SNMP (MIB-2)
ONVIF software	Yes (Version 1.01)
Number of clients	5
Authentication	IEEE802.1X
<b>Analog Video Output</b>	
Signal system	NTSC / PAL
<b>Interface</b>	
Ethernet	10BASE-T / 100BASE-TX (RJ-45)
Analog monitor output	AV Mini Jack
Sensor input	x 1
<b>General</b>	
Weight	3.5 oz (100 g)
Dimensions	ø 1 3/4 x 3 3/4 inches (ø 44 x 93 mm)
Power requirements	PoE
Power consumption	2.4W
Working temperature	32°F to 122°F (0°C to 50°C)
Storage temperature	-4°F to +140°F (-20°C to +60°C)
Safety regulation	UL2044, FCC 15B Class B, IC Class B, IEC60950-1, EN55022(B)+EN55024+EN50130-4, VCCI Class B, C-Tick Class B
<b>System Requirements</b>	
Operating system	WindowsXP™, WindowsVista™ (32bit), Windows7 (32bit)
Processor	Intel Core2 Duo 2 GHz or higher
Memory	1 GB or more
Web browser	Microsoft Internet Explorer® Ver6.0, 7.0, or 8.0 Firefox® Ver.3.5 (Plug-in free viewer only) Safari® Ver.4.0 (Plug-in free viewer only) Google® Chrome Ver.4.0 (Plug-in free viewer only)
<b>Supplied Accessories</b>	
CD-ROM (User's Guide, SNC Toolbox-RSM-Lite), Installation manual, B&P warranty booklet, FrontSheet (with logo), FrontSheet (without logo), Sensor input cable	

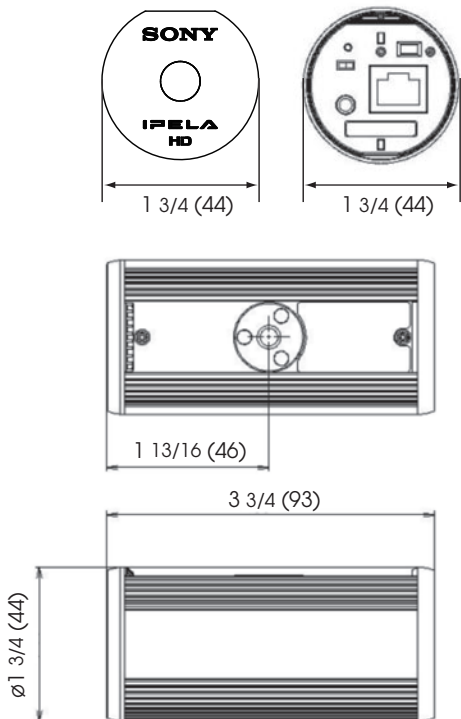
\*The SNC-CH110 includes software developed by the OpenSSL Project for use in the OpenSSL Toolkit (<http://www.openssl.org>).

## SYSTEM CONFIGURATION



## DIMENSIONS

Unit: inches (mm)



© 2010 Sony Electronics Inc. All rights reserved.  
 Reproduction in whole or in part without written permission is prohibited.  
 Features and specifications are subject to change without notice.  
 Weights and measurements are approximate.  
 Sony, 'make.believe' and their respective logos, IPELA, DEPA, ONVIF and RealShot are trademarks of Sony.  
 All other trademarks are the property of their respective owners.