

Compact & Affordable

1.3 Megapixel Network Camera



1.3 Megapixel HD Network Camera

SNB-5001

The SNB-5001 features 1.3 megapixel and 720p HD resolution at full frame rate, with a compact design. Multiple streaming is possible with a choice of H.264 and MJPEG compression methods, providing the option to simultaneously transmit images to multiple locations at various frame rates up to 30/25 frames per second, and at different resolution. This compact HD network camera will fit for small/home offices which require high resolution video at an affordable price.

- Maximum 1.3 MP resolution (1280 x 1024)
- Multiple Streaming
- H.264 & MJPEG dual codec
- Tampering Alarm, Motion Detection
- Privacy Masking
- Day & Night (Software)

1.3 Megapixel HD Network Camera

SNB-5001



SNB-5001N/P

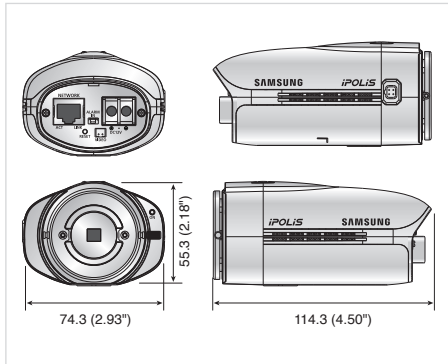


Specifications

Video	
Imaging Device	1/3" 1.3M PS CMOS
Total Pixels	1,384(H) x 1,076(V)
Effective Pixels	1,329(H) x 1,049(V)
Scanning System	Progressive
Min. Illumination	Color & B/W : 0.7 Lux (F1.2,50IRE), 0.011 Lux (Sens up 60X)
Video Out	CVBS : 1.0 Vp-p / 75Ω composite, 704x480(N), 704x576(P), for installation
LENS	
Lens Type	Manual / DC Auto Iris
Mount Type	C / CS
OPERATIONAL	
Camera Title	Off / On (Displayed up to 15 characters)
Day & Night	Auto (S/W) / Color / B/W
Backlight Compensation	Off / BLC
Digital Noise Reduction	SSNR (Off / On)
Motion Detection	Off / On (4 programmable zones, 20fps)
Privacy Masking	Off / On (12 Rectangular zones)
Sens-up (Frame Integration)	Off / Auto (2x ~ 60x)
Gain Control	Off / Low / Middle / High
White Balance	ATW / AWC / Manual / Indoor / Outdoor
Electronic Shutter Speed	Auto / A.FLK / Manual (1/30 ~ 12,000sec)
Flip / Mirror	Off / On
Intelligent Video Analytics	Tampering (20fps)
Alarm I/O	Input 1ea
NETWORK	
Ethernet	RJ-45 (10/100BASE-T)
Video Compression Format	H.264, MJPEG
Resolution	1280 x 1024, 1280 x 720P(HD), 1024 x 768, 800 x 600, 640 x 480, 320 x 240
Max. Framerate	30fps
Video Quality Adjustment	H.264 : Compression Level, Target Bitrate Level Control MJPEG : Quality Level Control
Bitrate Control Method	H.264 : CBR or VBR, MJPEG : VBR
Streaming Capability	Multiple Streaming (Up to 10 Profiles)
IP	IPv4, IPv6
Protocol	TCP/IP, UDP/IP, RTP(UDP), RTP(TCP), RTSP, NTP, HTTP, HTTPS, SSL, DHCP, PPPoE, FTP, SMTP, ICMP, IGMP, SNMPv1/v2c/v3(MIB-2), ARP, DNS, DDNS, QoS
Security	HTTPS(SSL) Login Authentication, Digest Login Authentication, IP Address Filtering, User access Log, 802.1x authentication
Streaming Method	Unicast / Multicast
Max. User Access	10 users at Unicast Mode
ONVIF Conformance	Yes
Web Language	English, French, German, Spanish, Italian, Chinese, Korean, Russian, Japanese, Swedish, Danish, Portuguese, Turkish, Polish, Czech, Rumanian, Serbian, Dutch, Croatian, Hungarian, Greek, Norwegian, Finnish
Web Viewer	Supported OS : Windows XP / VISTA / 7, MAC OS 10.7 or higher Supported Browser : Internet Explorer 7.0 or Higher, Firefox 9 or higher, Google Chrome 15 or higher, Apple Safari 5.1 or higher
Central Management Software	NET-i viewer
ENVIRONMENTAL	
Operating Temperature / Humidity	-10°C ~ +55°C (+14°F ~ +131°F) / ~ Less than 90% RH
Storage Temperature / Humidity	-30°C ~ +60°C / ~ Less than 90% RH
ELECTRICAL	
Input Voltage	12V DC, PoE (IEEE802.3af, Class2)
Power Consumption	Max 3.7W (DC 12V), Max 4.3W (PoE)
MECHANICAL	
Color / Material	Black, Silver / Aluminium, Plastic
Dimension (W x H x D)	74.3 x 55.3 x 114.3mm (2.93" x 2.18" x 4.50")
Weight	170g (0.37 lb)

Dimensions

Unit : mm (inch)



Available Lenses / Accessories (Optional)



The Eco mark represents Samsung Techwin's will to create environment-friendly products, and indicates that the product satisfies the EU RoHS Directive.

Design and specifications are subject to change without notice.

■ DISTRIBUTED BY

