

# Value line 3 Megapixel Network Camera



## 3 Megapixel Full HD Network Camera

# SNB-7001

This cost effective 3MP High Definition network camera is a great fit for applications which require high resolution video. The SNB-7001 features contrast enhancement and day/night capabilities for challenging lighting conditions, and is equipped with high-end functionalities such as Tampering Detection and Motion Detection.

- Maximum 3 MP resolution (2048 X 1536)
- Multiple Streaming
- H.264 & MJPEG dual codec
- Tampering Alarm, Motion Detection
- Privacy Masking, Smart codec(ROI encoding)
- Day & Night (Software)

# 3 Megapixel Full HD Network Camera

# SNB-7001

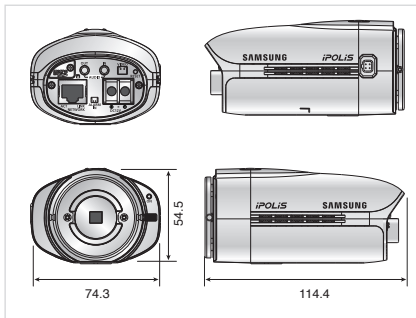


## Specifications

SNB-7001N/P	
<b>VIDEO</b>	
Imaging Device	1/2.8" 3M PS CMOS
Total Pixels	2,144(H) X 1,588(V)
Effective Pixels	2,096(H) X 1,561(V)
Scanning System	Progressive
Min. Illumination	Color/ B/W : 0.4 Lux (F1.2, 50IRE)
Video Out	CVBS : 1.0 Vp-p / 75Ω composite, 704x480(N), 704x576(P), for installation
<b>HORIZONTAL RESOLUTION</b>	
Lens Type	Manual / DC Auto Iris
Mount Type	C/CS
<b>OPERATIONAL</b>	
Camera Title	Off / On (Displayed up to 15 characters)
Day & Night	(SW) Auto / Color / B/W
Backlight Compensation	Off / BLC
Digital Noise Reduction	SSNR (Off / On)
Motion Detection	Off / On (4 programmable zones, 2Mega 20fps, 3Mega 15fps)
Privacy Masking	Off / On (12 rectangular zones)
Sens-up (Frame Integration)	Off / Auto (2x ~ 60x)
Gain Control	Off / Low / Middle / High
White Balance	ATW / AWC / Manual / Indoor / Outdoor
Electronic Shutter Speed	Auto / A.FLK / Manual (1/30 ~ 12,000sec)
Flip / Mirror	Off / On
Intelligent Video Analytics	Tampering (3M 15fps, 2M 20fps, 3M 15fps)
Alarm I/O	Input 1ea
<b>NETWORK</b>	
Ethernet	RJ-45 (10/100BASE-T)
Video Compression Format	H.264, MJPEG
Resolution	<3M Mode> 2048x1536, 1920x1080P(Full HD), 1600x1200, 1280x1024, 1280x960, 1280x720P(HD), 1024x768 800x600, 800x450, 640x480, 640x360, 320x240, 320x180
	<2M Mode> 1920x1080P(Full HD), 1280x1024, 1280x960, 1280x720P(HD), 1024x768, 800x600, 800x450, 640x480 640x360, 320x240, 320x180
Max. Framerate	<3M Mode> H.264 : Max 20fps at all resolutions MJPEG : 800x600 ~ 320x180 - 20 fps / 1280x1024 ~ 1920x1080 - 15 fps / 2048x1536 - 10 fps
	<2M Mode> H.264 : Max 30fps at all resolutions (When WDR ON, Max. framerate is Max 15fps.) MJPEG : 800x600 ~ 320x180 - 30 fps / 1280x1024 ~ 1920x1080 : 15 fps
Smart Codec	Yes (Area Based Method)
Video Quality Adjustment	H.264 : Compression Level, Target Bitrate Level Control / MJPEG : Quality Level Control
Bitrate Control Method	H.264 : CBR or VBR / MJPEG : VBR
Streaming Capability	Multiple Streaming (Up to 5 Profiles)
IP	IPv4, IPv6
Protocol	TCP/IP, UDP/IP, RTP(UDP), RTP(TCP), RTSP, NT, HTTP, HTTPS, SSL, DHCP, PPPoE, FTP, SMTP, ICMP IGMP, SNMPv1/v2c/v3(MIB-2), ARP, DNS, DDNS, ONVIF
QoS	On/Off
Security	HTTPS(SSL) Login Authentication / Digest Login Authentication / IP Address Filtering User access Log / 802.1X Authentication
Streaming Method	Unicast / Multicast
Max. User Access	10 users at Unicast Mode
ONVIF Conformance	Yes
WEBPAGE LANGUAGE	English, French, German, Spanish, Italian, Chinese, Korean, Russian, Japanese, Swedish, Danish, Portuguese, Turkish, Polish, Czech, Rumanian, Serbian, Dutch, Croatian, Hungarian, Greek, Norwegian, Finnish
Web Viewer	Supported OS : Windows XP / VISTA / 7, MAC OS 10.7 or higher Supported Browser : Internet Explorer 7.0 or Higher, Firefox 9 or higher, Google Chrome 15 or higher, Apple Safari 5.1 or higher
Central Management Software	NET-I viewer
<b>ENVIRONMENTAL</b>	
Operating Temperature / Humidity	-10°C ~ +55°C (+14°F ~ +131°F) / Less than 90% RH
Storage Temperature / Humidity	-30°C ~ +60°C / Less than 90%RH
<b>ELECTRICAL</b>	
Input Voltage	12V DC, PoE(IEEE802.3af)
Power Consumption	Max 3.7W (DC 12V), Max 4.3W (PoE)
<b>MECHANICAL</b>	
Color / Material	Black, Silver / Aluminium, Plastic
Dimension (WxHxD)	74.3 x 55.3 x 114.3mm (2.93" x 2.18" x 4.50")
Weight	170g (0.37 lb)

## Dimensions

Unit : mm (inch)



## Available Lenses/ Accessories(Optional)



Design and specifications are subject to change without notice.

■ DISTRIBUTED BY



The Eco mark represents Samsung Techwin's will to create environment-friendly products, and indicates that the product satisfies the EU RoHS Directive.