

AXIS Q60-C PTZ Dome Network Cameras

High-speed PTZ domes with active cooling.



- > Operate in temperatures up to 75 °C (167 °F)
- > Easy and reliable installation: dust- and waterproof, meet military standard
- > Powerful zoom; resolutions up to HDTV 1080p
- > SFP slots for fiber, RJ-45 connections
- > I/O for alarm in/out

The top-of-the-line AXIS Q60-C PTZ Dome Network Cameras provide exceptional and reliable surveillance in environments such as deserts, where high ambient temperatures and solar radiation require cameras to operate in extreme heat. The robust AXIS Q60-C cameras are ideal for use at construction and open-pit mining sites, along pipelines, and for city surveillance.

With a built-in active cooling system, AXIS Q60 cameras can operate in temperatures up to 75 °C (167 °F). The robust cameras meet the tough military standard, MIL-STD-810G, ensuring reliable operation in harsh weather conditions such as sandstorms. Installing the outdoor-ready cameras is fast and easy. No additional housing is required.

AXIS Q60-C camera models support resolutions ranging from D1, up to HDTV 1080p. They enable wide area coverage with high-speed 360° pan and powerful zoom for capturing details.

The supplied media converter switch allows AXIS Q60-C cameras to be connected in a daisy chain to the network using standard network or fiber optic cables that help lower the cost of installing the cameras over long distances. The media converter switch also enables the cameras to connect to external alarm devices via two configurable input/output ports, and to 12 V power.

AXIS Q60-C cameras, which support day/night functionality and H.264 compression, ensure the delivery of high-quality video even under extreme conditions.



Mounting brackets are sold separately.



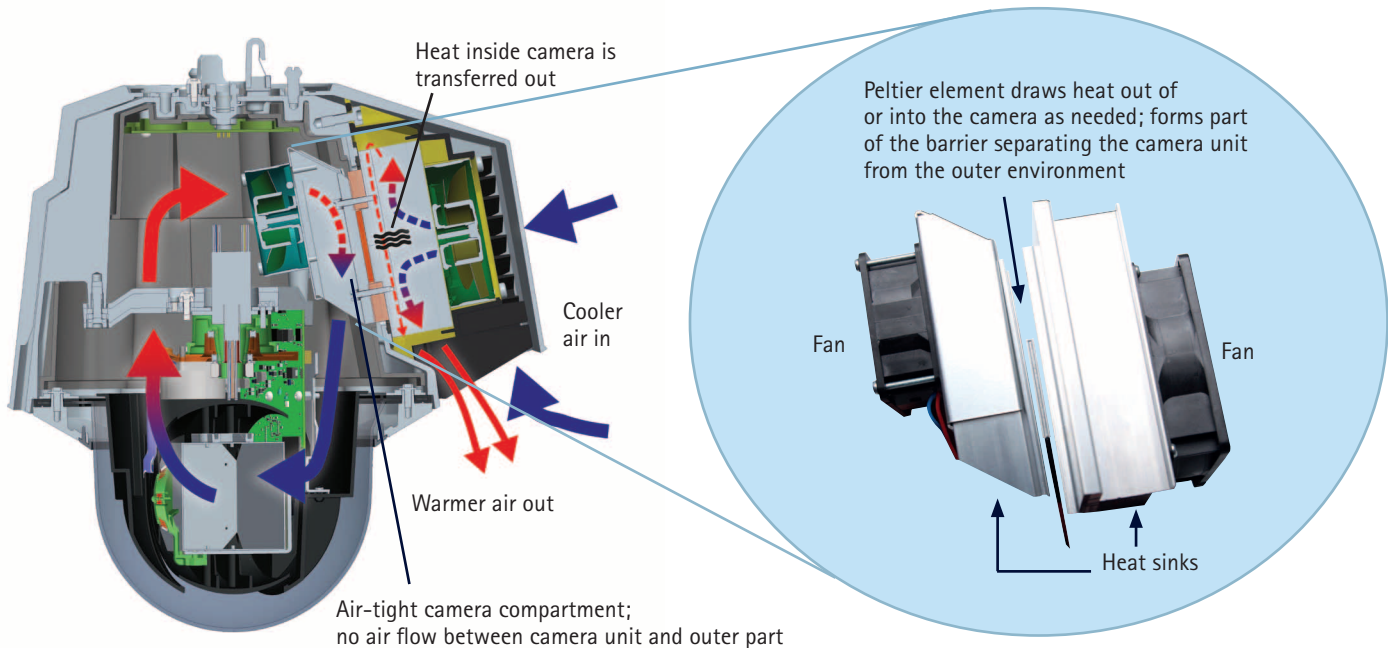
Exceptional video surveillance in searing heat

AXIS Q60-C PTZ domes ensure reliable surveillance in demanding environments. The cameras are tested to meet the tough MIL-STD-810G standard for high temperature, temperature shock, radiation, rain, humidity, salt fog, sand and dust.

With precision pan/tilt performance, the high-speed AXIS Q60-C cameras can follow a walking person or pan at a speed of 450° per second. The cameras also have powerful zoom. AXIS Q6035-C, for example, can capture the license plate of cars up to 275 m (900 ft.) away. The cameras support full frame rate video in resolutions up to HDTV 1080p (1920x1080), wide dynamic range, automatic guard tour, alarm management and intelligent video capabilities such as autotracking and Active Gatekeeper.

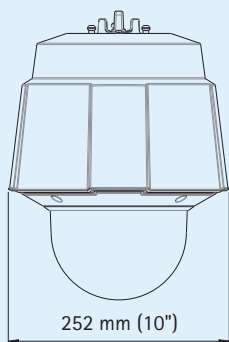
Engineered for handling extreme heat

AXIS Q60-C cameras use Peltier technology to increase the operating temperature to 75 °C (167 °F). The advanced climate control also handles rapid temperature changes to eliminate condensation on the clear dome cover. The system ensures that the cameras always operate at an optimal temperature to reduce wear and tear to maintain the cameras' lifetime.

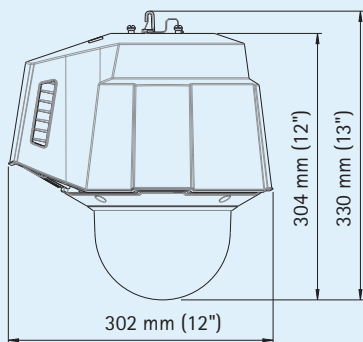


Dimensions: AXIS Q60-C PTZ Dome Network Cameras

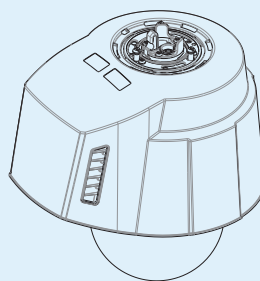
Front view



Side view



Top view



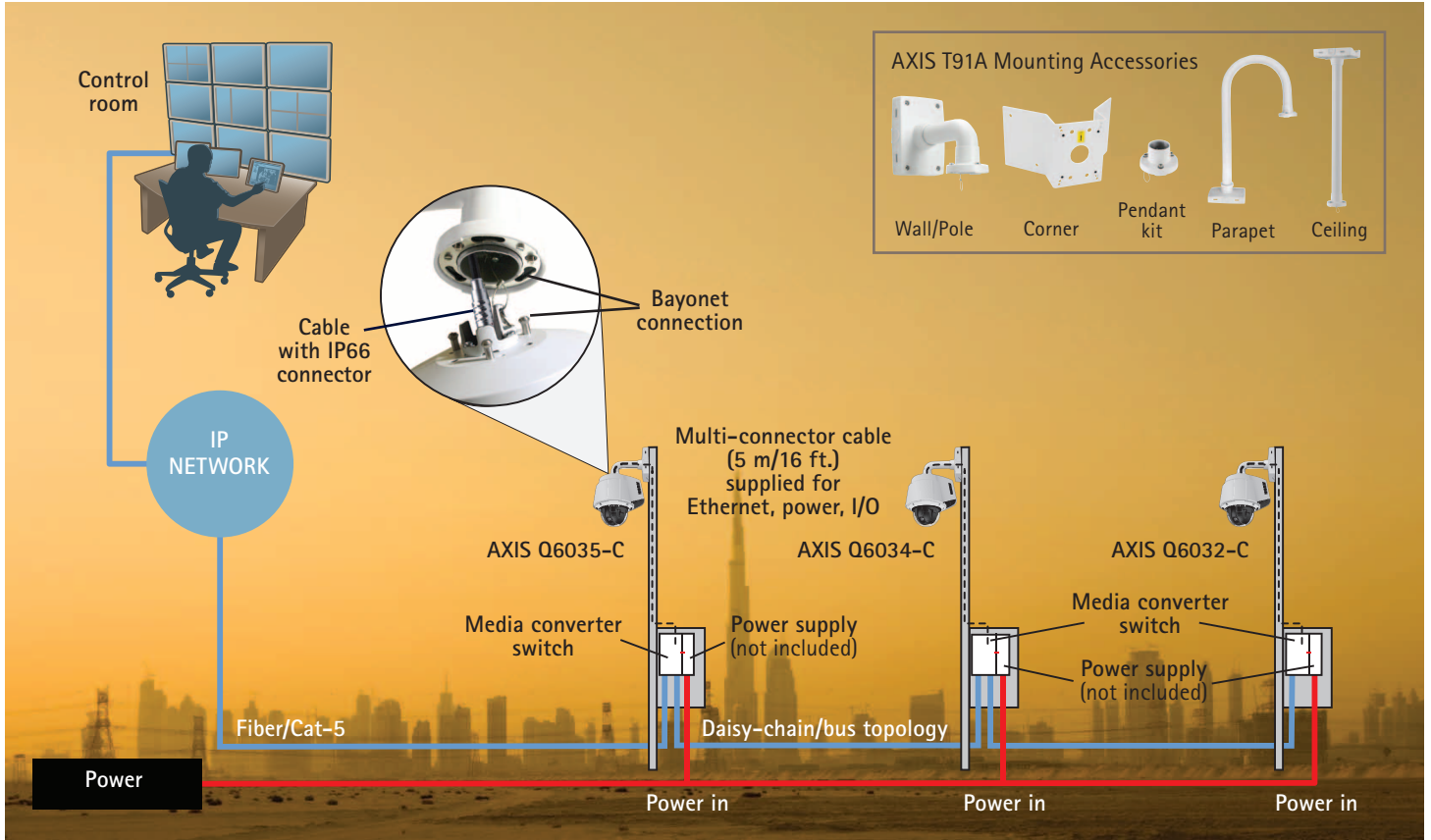
Back underside view



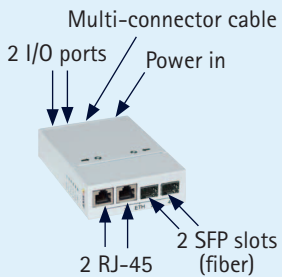
Easy installation and reliable performance

An AXIS Q60-C connects to the supplied AXIS T8605 Media Converter Switch using a multi-connector cable, which attaches to the camera with a simple click. Through the media converter switch, the multi-connector cable enables the camera to receive power, and send and receive data to and from external alarm devices and the network. Two SFP slots and two RJ-45 connectors in the media converter switch give installers the flexibility

to network the cameras cost-effectively over long distances in a daisy chain or in a ring topology for increased reliability in the event of a single point of failure.* The RJ-45 connectors can also be used for connection to complementary cameras such as a thermal camera or temporarily to a laptop to service the system locally. With bayonet mounting, AXIS Q60-C cameras attach easily to Axis' standard mounting accessories.



AXIS T8605 Media Converter Switch



Data rate	RJ-45: 10/100 Mbps; SFP: 100/1000 Mbps
Network cables	Shielded category 5 or higher, all fiber
Connectors	2x RJ-45 connectors 2x SFP slots (e.g. for SFP optical fiber modules) 2 configurable alarm input/output ports 1x power
Power	12.0 - 13.2 V DC, min. 75 W (power in from power supply)
Display & indicators	Power 5x Network
Compliance	RoHS, REACH, WEEE, CE, EN 50022, IEC 60715, AS2756

Approvals	EMC: EN 55022 Class A, EN 55024, VCCI, FCC Part 15 Class A with STP cabling, KCC Safety: IEC/EN/UL 60950-1, IEC/EN/UL 60950-22
Operating conditions	-40 °C to 75 °C (-40 °F to 167 °F)
Storage conditions	-40 °C to 75 °C (-40 °F to 167 °F)
Installation	Bracket Mount DIN Clip (included) for a 35 mm DIN rail
Dimensions	150 x 100 x 30 mm (5.9" x 3.9" x 1.2")

AXIS T8008 PS12 (Optional accessory)

Power in	90 - 264 V AC (operating) 115 - 230 V AC (nominal) 47 - 63 Hz
Power out	12.5 V DC +/-0.2 V DC, 85 W

Approvals	EMI Class B, EN61000 Immunity IEC 68-2-27, IEC 68-2-6/IEC 721-3-2, UL+CSA 60950-1 2nd Edition, UL+CSA 60601-1 2nd Edition, CB Scheme 60950-1, EN 61347-1/-2-13, IP64
------------------	---

Operating conditions	-40 °C to 75 °C (-40 °F to 167 °F)
Storage conditions	-40 °C to 75 °C (-40 °F to 167 °F)
Dimensions	178 x 102 x 38 mm (7" x 4" x 1.2")

*IGMP filtering not supported

Technical specifications – AXIS Q60-C PTZ Dome Network Cameras

Cameras		System integration	
Models	AXIS Q6032-C 60 Hz, AXIS Q6032-C 50 Hz AXIS Q6034-C 60 Hz, AXIS Q6034-C 50 Hz AXIS Q6035-C 60 Hz, AXIS Q6035-C 50 Hz	Application Programming Interface	Open API for software integration, including VAPIX® and AXIS Camera Application Platform from Axis Communications; specifications available at www.axis.com ONVIF, specifications available at www.onvif.org AXIS Video Hosting System (AVHS) with One-Click Camera Connection
Image sensor	AXIS Q6032-C: 1/4" ExView HAD progressive scan CCD AXIS Q6034-C: 1/3" progressive scan CCD AXIS Q6035-C: 1/2.8" progressive scan CMOS	Intelligent video	Video motion detection, autotracking, Active Gatekeeper, AXIS Camera Application Platform enabling installation of additional applications
Lens	AXIS Q6032-C: f=3.3 – 119 mm, F1.4 – 4.2, autofocus, automatic day/night Horizontal angle of view: 57.2° – 1.7° AXIS Q6034-C: f=4.7 – 84.6 mm, F1.6 – 2.8, autofocus, automatic day/night, horizontal angle of view: 55.2° – 3.2° AXIS Q6035-C: f=4.7 – 94 mm, F1.6 – 3.5 autofocus, automatic day/night horizontal angle of view: 54.1° – 2.9° in HDTV 1080p horizontal angle of view: 37.6° – 2° in HDTV 720p	Event triggers	Video motion detection, autotracking, AXIS Camera Application Platform, external input, PTZ preset, temperature, memory card full
Minimum illumination	AXIS Q6032-C: Color: 0.5 lux at 30 IRE F1.4; B/W: 0.008 lux at 30 IRE F1.4 AXIS Q6034-C: Color: 0.74 lux at 30 IRE F1.6; B/W: 0.04 lux at 30 IRE F1.6 AXIS Q6035-C: Color: 0.8 lux at 30 IRE F1.6; B/W: 0.04 lux at 30 IRE F1.6	Event actions	File upload: FTP, HTTP, network share and email Notification: email, HTTP and TCP PTZ preset, guard tour, autotracking, external output, video recording to edge storage Pre- and post-alarm video buffering
Shutter time	AXIS Q6032-C: 1/30000 s to 0.5 s (60 Hz), 1/30000 s to 1.5 s (50 Hz) AXIS Q6034-C: 1/10000 s to 1/4 s AXIS Q6035-C: 1/30000 s to 1/4 s	Data streaming	Event data
Pan/tilt/zoom	E-flip, 100 preset positions Pan: 360° endless, 0.05° – 450°/s Tilt: 220°, 0.05° – 450°/s AXIS Q6032-C: 36x optical zoom and 12x digital zoom, total 432x zoom AXIS Q6034-C: 18x optical zoom and 12x digital zoom, total 216x zoom AXIS Q6035-C: 20x optical zoom and 12x digital zoom, total 240x zoom	Installation aid	Pixel counter
Pan/tilt/zoom functionalities	Tour recording, guard tour, control queue On-screen directional indicator	General	
Video		Casing	IP66- and NEMA 4X-rated metal casing (aluminum), polycarbonate (PC) clear dome, sunshield (PC/ASA)
Video compression	H.264 (MPEG-4 Part 10/AVC); Motion JPEG	Memory	256 MB RAM, 128 MB Flash
Resolutions	AXIS Q6032-C: Extended D1 752x480 to 176x120 (60 Hz), Extended D1 736x576 to 176x144 (50 Hz) AXIS Q6034-C: HDTV 720p 1280x720 to 320x180 AXIS Q6035-C: HDTV 1080p 1920x1080 to 320x180, HDTV 720p 1280x720 to 320x180	Power	See specifications under AXIS T8605 Media Converter Switch
Frame rate	AXIS Q6032-C/Q6034-C: H.264: Up to 30/25 fps (60/50 Hz) in all resolutions Motion JPEG: Up to 30/25 fps (60/50 Hz) in all resolutions AXIS Q6035-C: H.264: Up to 30/25 fps (60/50 Hz) in all resolutions; up to 60/50 fps (60/50 Hz) in HDTV 720p Motion JPEG: Up to 25 fps (60/50 Hz) in HDTV 1080p; up to 50 fps (60/50 Hz) in HDTV 720p	Connectors	IP66-rated multi-connector for DC power, Ethernet 10BASE-T/100BASE-TX and I/O, including 5 m (16 ft.) cable
Video streaming	Multiple, individually configurable streams in H.264 and Motion JPEG; controllable frame rate and bandwidth; VBR/CBR H.264	Edge storage	SD/SDHC/SDXC slot supporting memory card up to 64 GB (card not included); support for recording to network share (network-attached storage or file server)
Image settings	Wide dynamic range (WDR), manual shutter time, compression, color, brightness, sharpness, white balance, exposure control, exposure zones, backlight compensation, fine tuning of behavior at low light, rotation, text and image overlay, 32 individual 3D privacy masks, image freeze on PTZ AXIS Q6032-C: Electronic image stabilization (EIS)	Operating conditions	-20 °C to 75 °C (-4 °F to 167 °F) with active cooling Humidity 10 – 100% RH (condensing)
Network		Approvals	EMC EN 55022 Class A, EN 61000-3-2, EN 61000-3-3, EN 61000-6-1, EN 61000-6-2, EN 55024, EN 50121-4, IEC 62236-4, FCC Part 15 Subpart B Class A, ICES-003 Class A, VCCI Class A, C-tick AS/NZS CISPR 22, KCC Class A Safety IEC/EN/UL 60950-1, IEC/EN/UL 60950-22 Environmental IEC 60068-2-1, IEC 60068-2-2, IEC 60068-2-6, IEC 60068-2-14, IEC 60068-2-27 Camera compartment: IEC 60529 IP66, NEMA 250 Type 4X MIL-STD-810G 500.5 Low pressure 501.5 High temperature 502.5 Low temperature 503.5 Temperature shock 505.5 Solar radiation 506.5 Rain 507.5 Humidity 509.5 Salt fog 510.5 Sand and dust** 514.6 Vibration **Protected against entry of sand and dust. Clear/smoked dome cover may need to be replaced if exposed to sandblasts.
Security	Password protection, IP address filtering, HTTPS encryption*, IEEE 802.1X network access control*, digest authentication, user access log	Weight	5.6 kg (12.4 lb.)
Supported protocols	IPv4/v6, HTTP, HTTPS*, SSL/TLS*, QoS Layer 3 DiffServ, FTP, CIFS/SMB, SMTP, Bonjour, UPnP™, SNMPv1/v2c/v3 (MIB-II), DNS, DynDNS, NTP, RTSP, RTP, TCP, UDP, IGMP, RTCP, ICMP, DHCP, ARP, SOCKS	Included accessories	AXIS T8605 Media Converter Switch with 2xRJ-45, 2xSFP, 2xI/O, power in, Bracket Mount DIN Clip, 5 m (16 ft.) IP66-rated multi-connector cable, Installation Guide, Installation and Management Software CD including AXIS Camera Companion, Windows decoder 1-user license
		Optional accessories	AXIS T8008 PS12, AXIS T91A Mounting Accessories, AXIS T90A Illuminators, AXIS P8221 Network I/O Audio Module, AXIS T8310 Video Surveillance Control Board, AXIS Camera Station, smoked dome cover
		Spare part	Clear dome cover

*This product includes software developed by the OpenSSL Project for use in the OpenSSL Toolkit. (www.openssl.org)

More information is available at www.axis.com