

PZ7111/7112

Pan/Tilt/Zoom Network Camera

10x Zoom • Dual Streams • PoE



VIVOTEK PZ7111 (PoE) / 7112 (WLAN) is a high-performance network camera featuring 10x optical zoom and pan/tilt functionality. The camera is designed for indoor surveillance applications such as retail stores, offices or banks.

The built-in 10x motorized optical zoom module provides greater depth of field when zoomed in. Therefore, it can display clear-cut images on near or distant objects. With flexible 300-degree pan and 135-degree tilt, PZ7111/7112 can give users more comprehensive control over the monitored site. PZ7111/7112 is incorporated with VIVOTEK's self-developed Bach SoC, giving users the advantages of dual-codec (MPEG-4 and MJPEG), dual streams and two-way audio by SIP protocol. With support of dual streams, it simultaneously delivers dual video streams with different resolutions, frame size and image quality to different platforms such as web browser or 3G cell phones.

In addition, PZ7111 is integrated with Power over Ethernet function while PZ7112 with wireless connection, making installation easier and more cost-efficient. The free-bundled, multi-lingual 16-channel recording software helps users to set up an easy-to-use IP surveillance system.

Features

- > 10x Optical Zoom Lens
- > Motorized Pan/Tilt
(Pan: -150° ~ +150°; Tilt: -45° ~ +90°)
- > Real-time MPEG-4 and MJPEG Compression
(Dual Codec)
- > Supports Dual Streams Simultaneously
- > 3GPP Mobile Surveillance
- > Two-way Audio via SIP Protocol
- > Built-in/External Microphone Switch
- > Built-in 802.3af Compliant PoE (PZ7111)
- > Built-in 802.11b/g WLAN (PZ7112)
- > HTTPS Encrypted Data Transmission
- > Digital I/O for External Sensor and Alarm

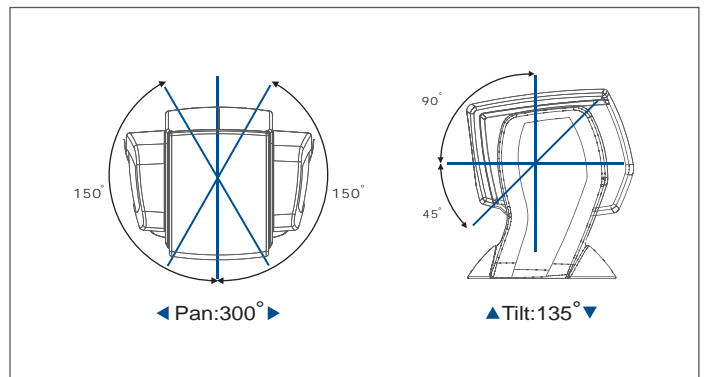
Specifications

P/N: 011001601 Ver 1.0

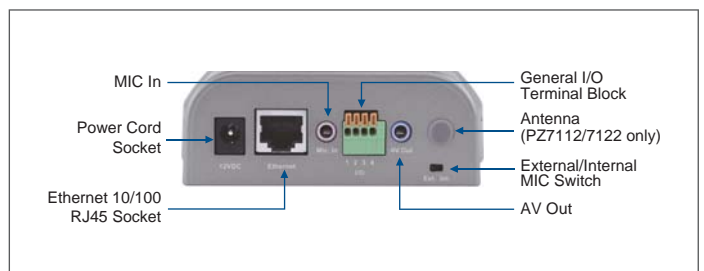
Models	<ul style="list-style-type: none"> · PZ7111 (NTSC CCD, PoE) · PZ7121 (PAL CCD, PoE) · PZ7112 (NTSC CCD, WLAN) · PZ7122 (PAL CCD, WLAN)
System	<ul style="list-style-type: none"> · CPU: Bach SoC · Flash: 8MB · RAM: 64MB + 32MB · Embedded OS: Linux 2.6
Pan/Tilt/Zoom	<ul style="list-style-type: none"> · Pan range: 300° (-150° ~ +150°) · Tilt range: 135° (-45° ~ +90°) · 10x optical zoom, 10x digital zoom · Auto pan mode · Auto patrol mode
Lens	<ul style="list-style-type: none"> · 10x optical zoom lens, f=4.2 ~ 42 mm, F1.8 (wide), F2.9 (tele), auto iris, auto focus
Angle of View	<ul style="list-style-type: none"> · 4.9° ~ 46° (horizontal) · 3.6° ~ 35° (vertical)
Shutter Time	<ul style="list-style-type: none"> · 1/60 sec. to 1/10000 sec. (PZ7111/PZ7112) · 1/50 sec. to 1/10000 sec. (PZ7121/PZ7122)
Image sensor	<ul style="list-style-type: none"> · 1/4" CCD sensor in D1 resolution
Minimum Illumination	<ul style="list-style-type: none"> · 1.5 Lux / F1.8 (typical) · 0.05 Lux / F1.8 (low light mode)
Video	<ul style="list-style-type: none"> · Compression: MJPEG & MPEG-4 · Streaming: <ul style="list-style-type: none"> Simultaneous dual-streaming MPEG-4 streaming over UDP, TCP, HTTP or HTTPS MPEG-4 multicast streaming MJPEG streaming over HTTP or HTTPS · Supports 3GPP mobile surveillance · Frame rates: <ul style="list-style-type: none"> MPEG-4: Up to 30/25 fps 704x480/704x576 MJPEG: Up to 30/25 fps 704x480/704x57
Image Settings	<ul style="list-style-type: none"> · Adjustable image size, quality, and bit rate · Time stamp and text caption overlay · Flip & mirror · Configurable brightness, contrast, saturation, sharpness and white balance · ATW, AWB, AES, ALC · Backlight compensation (BLC)
Audio	<ul style="list-style-type: none"> · Compression: <ul style="list-style-type: none"> GSM-AMR speech encoding, bit rate: 4.75 kbps to 12.2 kbps MPEG-4 AAC audio encoding, bit rate: 16 kbps to 128 kbps · Interface: <ul style="list-style-type: none"> Built-in microphone External microphone input Audio output External/Internal microphone switch · Supports two-way audio via SIP protocol · Supports audio mute
Networking	<ul style="list-style-type: none"> · 10/100 Mbps Ethernet, RJ-45 · Built-in 802.11b/g WLAN (PZ7112/PZ7122) · Protocols: IPv4, TCP/IP, HTTP, HTTPS, UPnP, RTSP/ RTP/RTCP, IGMP, SMTP, FTP, DHCP, NTP, DNS, DDNS, and PPPoE
Alarm and Event Management	<ul style="list-style-type: none"> · Triple-window video for motion detection · One D/I and one D/O for external sensor and alarm · Event notification using HTTP, SMTP, or FTP · Local recording of MP4 files
Security	<ul style="list-style-type: none"> · Multi-level user access with password protection · IP address filtering · HTTPS encrypted data transmission · Wireless: WEP, WPA-PSK, WPA2 (PZ7112/PZ7122)
Users	<ul style="list-style-type: none"> · Camera live viewing for up to 10 clients
Dimension	<ul style="list-style-type: none"> · Ø 105 mm x 120 mm
Weight	<ul style="list-style-type: none"> · Net: 391 g (PZ7111/PZ7121) · Net: 408 g (PZ7112/PZ7122)
LED Indicator	<ul style="list-style-type: none"> · System power and status indicator · System activity and network link indicator

Power	<ul style="list-style-type: none"> · 12V DC · Power consumption: Max. 12 W (PZ7111/7121) · Power consumption: Max. 13 W (PZ7112/7122) · 802.3af compliant Power-over-Ethernet (PZ7111/PZ7121)
Approvals	<ul style="list-style-type: none"> · CE, LVD, FCC, VCCI, C-Tick
Operating Environments	<ul style="list-style-type: none"> · Temperature: 0 ~ 50 °C (32 ~ 122 °F) · Humidity: 20% ~ 80% RH
Viewing System Requirements	<ul style="list-style-type: none"> · OS: Microsoft Windows 2000/XP/Vista · Browser: Internet Explorer 6.x or above · Cell phone: 3GPP player · Real Player: 10.5 or above · Quick Time: 6.5 or above
Installation, Management, and Maintenance	<ul style="list-style-type: none"> · Installation Wizard 2 · 16-CH recording software · Supports firmware upgrade
Applications	<ul style="list-style-type: none"> · SDK available for application development and system integration
Warranty	<ul style="list-style-type: none"> · 24 months

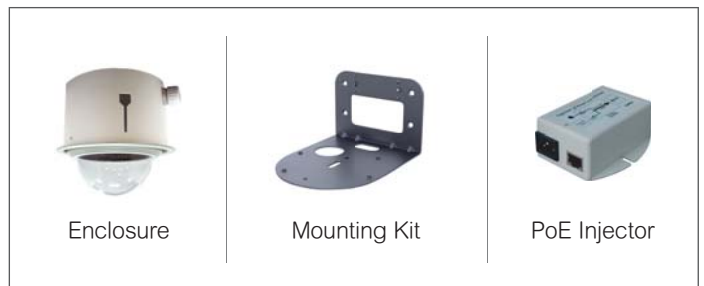
Pan/Tilt Range



External View



Accessories



All specifications are subject to change without notice. Copyright©2009 VIVOTEK INC. All rights reserved.

Distributed by:



6F, No.192, Lien-Cheng Rd., Chung-Ho, Taipei County, Taiwan
Tel: +886 2 8245 5282 | Fax: +886 2 8245 5532 | E-mail: sales@vivotek.com
VIVOTEK USA, INC.
470 Lakeside Drive Suite C, Sunnyvale, CA 94085 USA
Tel: 408-773-8686 | Fax: 408-773-8298 | E-mail: salesusa@vivotek.com